



# Quiet Connect™ Series - RS13A, RS17A, RS20A, & RS20AC



### Features and benefits

**Robust Design** – The generator is designed to operate in cold weather with performance down to 0 °F (-18 °C) out of the box. Cold Weather accessories allow for even colder. It is tested and certified per the latest EPA, UL, and CSA standards. The generator meets NFPA 37 which allows it to be installed 18 inches from a building. The generator enclosure has been evaluated to withstand 180 MPH wind loads in accordance with ASCE7-10. It has powerful motor starting ability and can easily start and run a 5 ton A/C<sup>1</sup> under full pre-load.

**Intelligent Load Management** - The generator can control up to 4 loads and continuously monitors how much power is required independently for each load. It then controls each load for maximum utilization of generator power by only restoring loads the generator has capacity to run.

**Flexible Exercise Modes** - Exercise modes can be set for time, date, and frequency that suits the owner. Our patented 'Crank only' exercise mode allows the generator to crank the engine and run diagnostics without starting the engine. This reduces wear and tear on the engine, fuel costs, and further reduces the sound of an already quiet generator.

**Remote Monitoring** - Remote monitoring is built into every generator. Using a computer, tablet, or smart phone, an operator can monitor, change exercise modes, and manually run the generator remotely.

**Generator and ATS packaged sets** – The RS20AC comes with a 20 kW generator and 200A service entrance rated ATS in one box to make ordering more convenient.

### Weight, size and sound level

**Size:** Length 34.1 in (865 mm), width 36.0 in (915 mm), height 27.3 in (694 mm)

**Sound:** 65 dB(A) at 23 ft. (7 m) at normal load<sup>2</sup>

Series	Model	Part number	Voltage (V)	Frequency (Hz)	Rated amp <sup>3</sup> (NG / LPV)	Weight Lbs. / Kg
RS13A	C13N6H	A054E399	120 / 240	60	54.2 / 54.2	479 / 217
RS17A	C17N6H	A054E397	120 / 240	60	70.8 / 70.8	531 / 241
RS20A	C20N6H	A054E395	120 / 240	60	75 / 83.3	531 / 241
RS20AC	C20N6HC	A054X497	120 / 240	60	75 / 83.3	596 / 271

<sup>1</sup> Air-conditioners vary by type, efficiency, operational conditions, etc. Consult with a qualified HVAC specialist or Cummins Power Generation distributor/dealer for proper sizing.

<sup>2</sup> Quietest point at a normal load. Sound performance may be affected by installation. Normal load is defined as typical household consumption of 3kW.

<sup>3</sup> Derating guidelines: Maximum wattage or maximum current are subject to and limited by such factors as fuel Btu content, ambient temperature, altitude, engine power and condition, etc. Full rated power available at the following:

RS20A & R20AC – at 15 °C (60 °F) and 0 m (0 ft.). Derate 3.5% for each increase of 300 m (1000 ft.) and 1% for each increase of 5.5 °C (10 °F)

RS17A - at 25 °C (77 °F) and 300 m (1000 ft.). Derate 3.5% for each increase of 300 m (1000 ft.) and 1% for each increase of 5.5 °C (10 °F)

RS13A – at 25 °C (77 °F) and 2100 m (6900 ft.). Derate 3.5% for each increase of 300 m (1000 ft.) and 1% for each increase of 5.5 °C (10 °F)

## Product Features

### Engine

- Natural gas/propane
- Engine air cleaner
- Engine oil (Synthetic)
- Oil drain extension tube
- Low oil pressure shutdown
- Low oil level warning or monitoring

### Fuel System

- Single fuel – natural gas or propane vapor, field selectable (Set to Natural gas from factory)

### Alternator

- 60 Hz, 1 phase, < 5% THD (total harmonic distortion)
- Long life electrographic DC brushes
- Slip ring heater

### Control

- Display language – English
- Under hood built in display

### Electrical

- Single 100A circuit breaker, UL certified (On all models)
- Battery charging alternator
- Battery charger – 4 Amps

### Cooling

- Single direct drive blower

### Enclosure

- Aluminum exterior, galvanized steel interior

### Code Compliance

- UL 2200
- CSA 22.2 and B149-2
- EPA emissions
- NFPA 37 – 18 inches

## Warranty

- Base: 5 years / 2000 hours
- Extended warranties available

## Generator Set performance

### Governor regulation class

**Voltage regulation, no load to full load:** ±1.25%

**Steady state voltage variation:** ±1.25%

**Frequency regulation:** Isochronous

**Motor starting kVA (30% voltage dip):** 40 for RS20A/AC, 34 for RS17A, and 26 for RS13A

**Steady state freq. variation:** ±1.25% (±1.5% @ No load)

**Operating temperature:** 122 °F (50 °C) to 0 °F (-18 °C)

*Additional accessories are available to allow for operation below 0 °F. See Accessories section for details.*

## Engine

**Model:** QSJ999G

**Design:** Naturally aspirated, V twin air cooled

**Bore:** 3.54 in (89.9 mm)

**Stroke:** 3.09 in (78.5 mm)

**Displacement:** 60.96 inch<sup>3</sup> (999 CC)

**Cylinder block:** Aluminum

**Battery capacity:** Group 51R, 450 CCA at ambient temperature of 32 °F (0 °C)

**Starting voltage:** 12 volt, negative ground

**Oil Filter type:** Spin-on

**Rated speed:** 3600 rpm

## Fuel supply pressure

**Minimum - in H<sub>2</sub>O (kPa):**

NG 3.5 (0.87)

LP 6.0 (1.49)

**Maximum - in H<sub>2</sub>O (kPa):**

NG 13.0 (3.2)

LP 13.0 (3.2)

## Average fuel consumption

### RS13A Fuel consumption – natural gas

Load:	1/4	1/2	3/4	Full
Ft <sup>3</sup> / hr.	121	143	171	203
M <sup>3</sup> / hr.	3.4	4.0	4.8	5.8
BTU / hr.	121000	143000	171000	203000

### RS13A Fuel consumption – LP vapor

Load:	1/4	1/2	3/4	Full
Ft <sup>3</sup> / hr.	51	60	71	87
M <sup>3</sup> / hr.	1.5	1.7	2.0	2.5
Gal / hr.	1.4	1.7	2.0	2.5

### RS17A Fuel consumption – natural gas

Load:	1/4	1/2	3/4	Full
Ft <sup>3</sup> / hr.	125	159	201	263
M <sup>3</sup> / hr.	3.5	4.5	5.7	7.4
BTU / hr.	125000	159000	201000	263000

### RS17A Fuel consumption – LP vapor

Load:	1/4	1/2	3/4	Full
Ft <sup>3</sup> / hr.	53	66	86	109
M <sup>3</sup> / hr.	1.5	1.9	2.4	3.1
Gal / hr.	1.5	1.9	2.4	3.1

### RS20A & RS20AC Fuel consumption – natural gas

Load:	1/4	1/2	3/4	Full
Ft <sup>3</sup> / hr.	127	168	210	278
M <sup>3</sup> / hr.	3.6	4.8	5.9	7.9
BTU / hr.	127000	168000	210000	278000

### RS20AC Fuel consumption – LP vapor

Load:	1/4	1/2	3/4	Full
Ft <sup>3</sup> / hr.	54	71	98	126
M <sup>3</sup> / hr.	1.5	2.0	2.8	3.6
Gal / hr.	1.5	2.0	2.8	3.6

Nominal fuel rating – 1000 BTU / ft<sup>3</sup> (37 MJ / M<sup>3</sup>)

Conversion factor:

8.58 ft<sup>3</sup> = 1 lb.

0.535m<sup>3</sup> = 1 kg

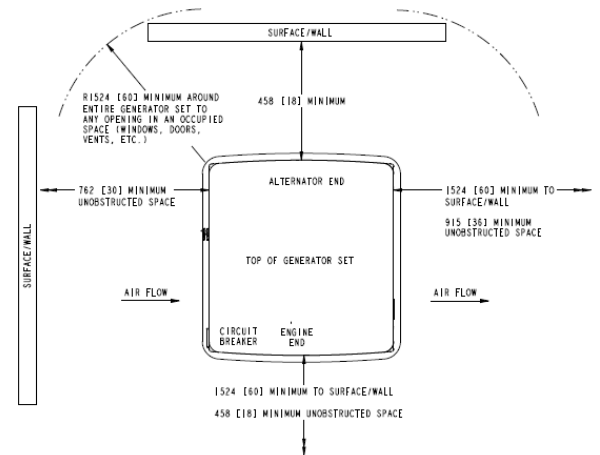
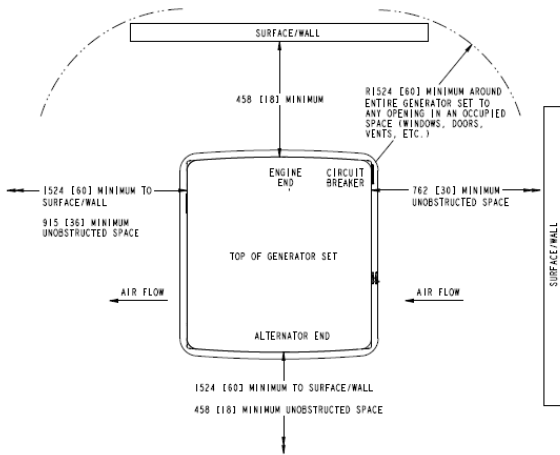
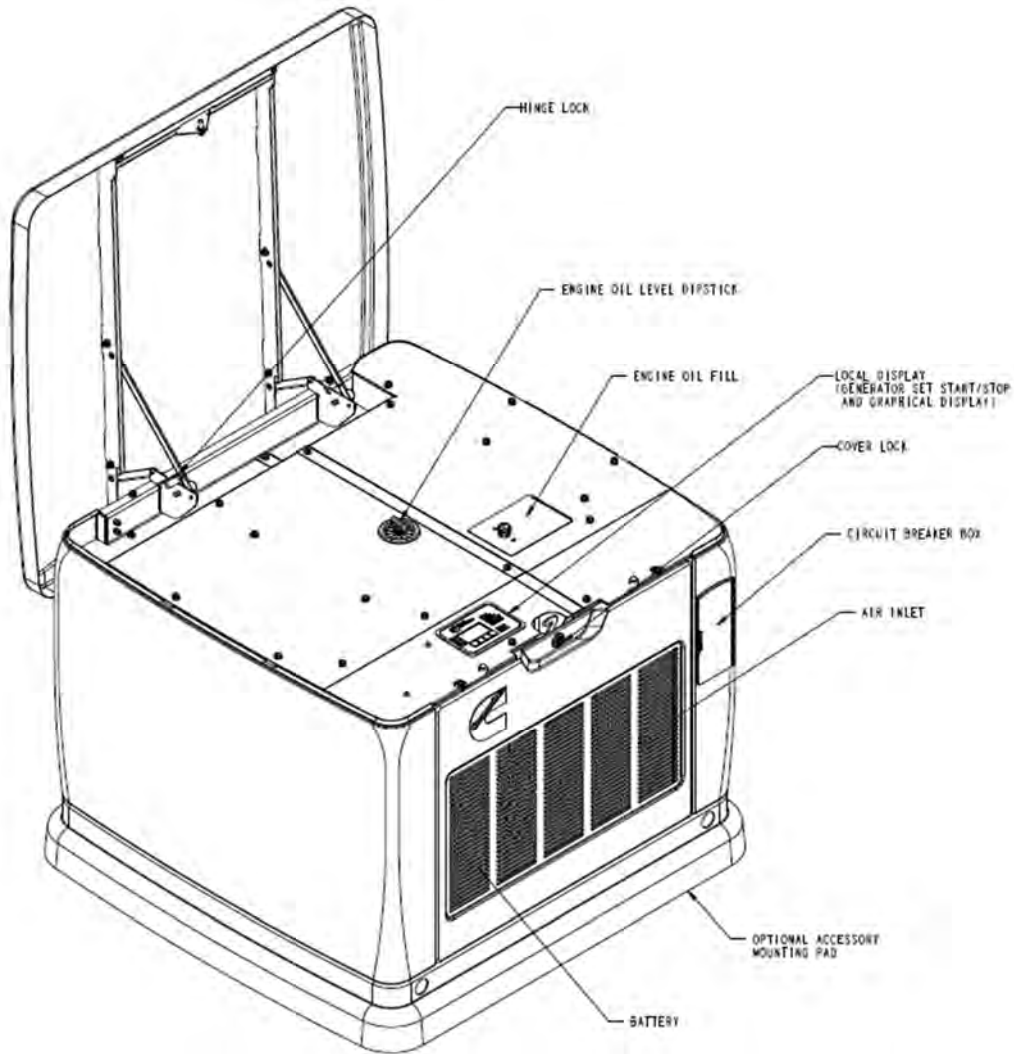
36.39 ft<sup>3</sup> = 1 gal

**Our energy working for you.™**

©2015 Cummins Inc. | NAS-6254d (A056T581) (05/17)

power.cummins.com

## Easy service and installation

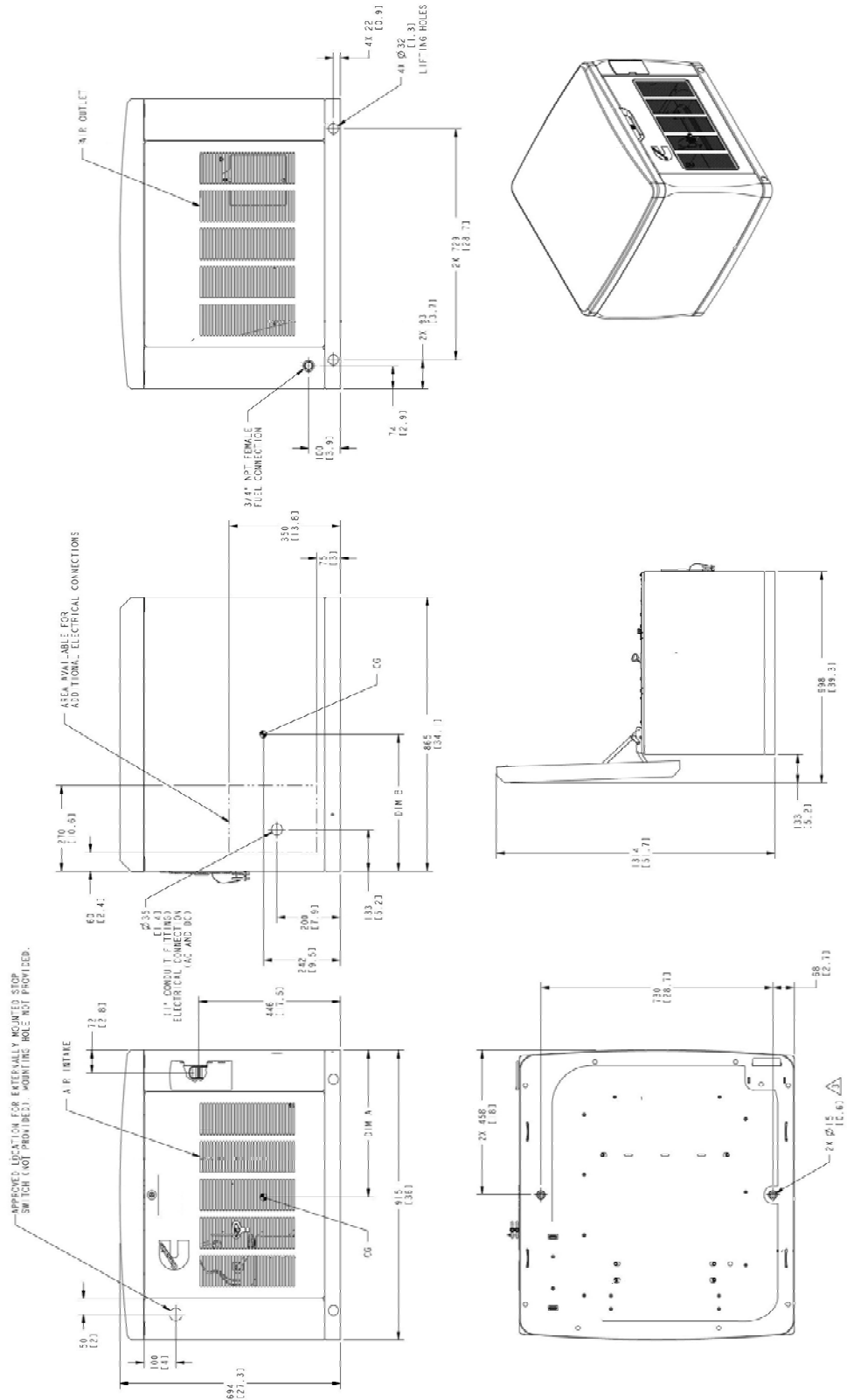


**Our energy working for you.™**

©2015 Cummins Inc. | NAS-6254d (A056T581) (05/17)

[power.cummins.com](http://power.cummins.com)

# Basic dimension



**Note:** This outline drawing provides general reference only and is not intended for use in design or installation. For more information, see Operators and Installation manuals or contact your distributor or dealer for assistance.

## Accessories

- RS In-home display (A053K028) - Additional interface and display to monitor generator performance from a second location.
- Extreme Cold Weather Kit (A054B984) – For locations where the generator will be in climates that can go below 0 °F (-18 °C)
- Enclosure Paint Touchup Kit (A043J735)
- Preventative Maintenance Kit (A054H068) – Parts for scheduled maintenance intervals
- Load Add/Load Shed Device (A051C329) – Allows generator to control up to 2 - 50A loads
- Integrated ATS & Load Panel (A051C991) – Combines an 100A Non-Service Entrance (NSE) ATS with a load panel in an NEMA 1 box
- Concrete Composite Mounting Pad - 3” thick, 1” overhang composite pad for mounting the generator on (A057M349 for 5 and A057M351 for 10)
- E-stop Kit (A044Z051) - Externally mounted emergency stop button allows for additional safety
- Battery (A052Y816) - Group 51R, 450 CCA

## Transfer switch (also sold separately)

- Automatic Transfer Switches available in various amperages.
- Service Entrance and Non-Service Entrances models are available.
- Available for both Indoor and Outdoor applications.
- All models UL listed to UL 1008 standard.
- Compatibility with the Cummins generator set helps reduce the installation time for the complete application.

## Warranty policy

The Cummins Power Generation RS13A, RS17A, RS20A, and RS20AC generators come standard with a 5 year / 2,000 hour limited warranty. RA Automatic Transfer Switches come standard with a 2 year warranty. Extended warranty options available. See warranty statement for additional details.

## After sale support

### Largest distributor/dealer support network

Cummins Power Generation generator sets are supported by the largest and best trained worldwide certified distributor/dealer network in the industry. This network of knowledgeable distributor/dealers will help you select and install the right generator set and accessories to meet the requirements of your specific application. This same network offers a complete selection of commonly used generator set maintenance parts, accessories and products plus manuals and specification sheets. Plus, they can answer your questions regarding proper operation, maintenance schedules and more.

**Manuals:** Operation and installation manuals ship with the generator set. To obtain additional copies or other manuals for this model, see your distributor/dealer. To easily locate the nearest certified distributor/dealer for Cummins Power Generation generators in your area, or for more information, contact us at 1-800-888-6626 or visit [power.cummins.com](http://power.cummins.com).



### ⚠ WARNING:

Standby rating based on: Applicable for supplying emergency power for the duration of normal power interruption. No sustained overload capability is available for this rating. (Equivalent to fuel stop power in accordance with ISO3046, AS2789, DIN6271 and BS5514 nominally rated.) See T030.

### ⚠ WARNING:

Back feed to a utility system can cause electrocution and/or property damage. Do not connect to any building electrical except through an approved device or after building main breaker is open.

---

Contact your distributor/dealer for more information.